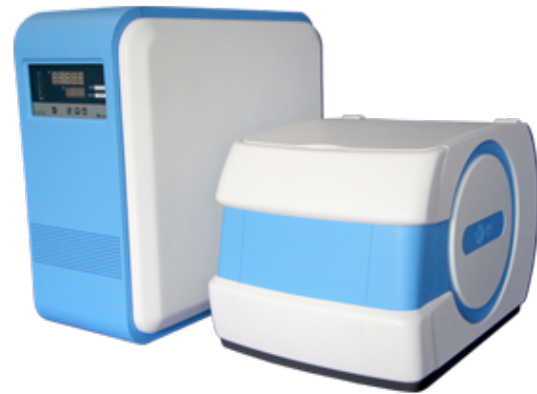
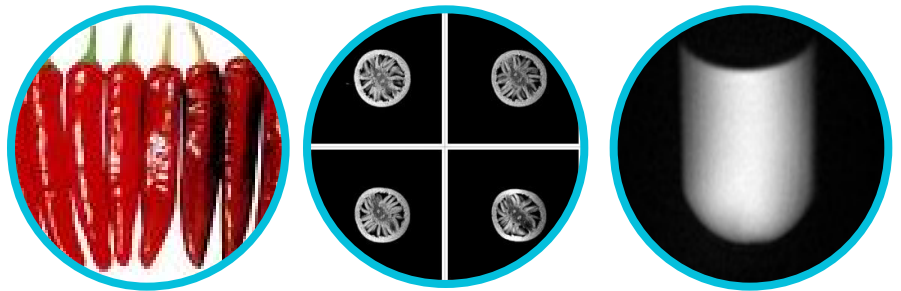


# Portable MRI Training System

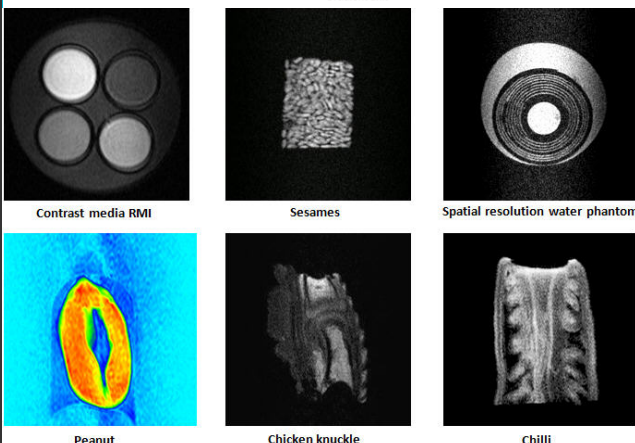
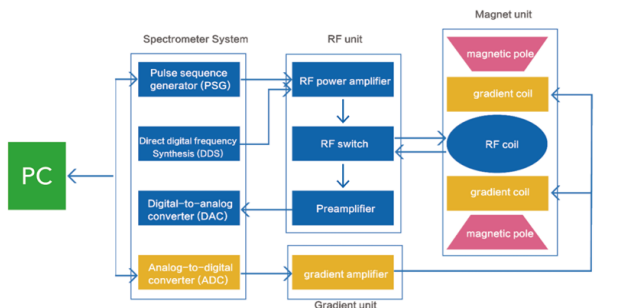
MiniEDU20 can be used by physics lecturers to demonstrate NMR experiments and imaging professionals to teach courses, therefore enable students to gradually learn to master NMR/MRI technology through observation of a range of diverse sequences, different magnetic resonance signals, K spatial distribution for different settings, imaging parameters organization, and the impact of different levels of image contrast.

1. Permanent magnet;
2. 0.5T magnet;
3. 10 mm Probe;



## LABORATORY TEACHING MRI

- NMR and MRI principle education;
- MRI pulse sequence;
- T1, T2, Proton weighted Imaging;
- NMR and MRI principles;
- Automatic set 90° and 180° pulse;
- Easy to export experimental results;
- Open-tested system hardware;
- Multi-exponent inversion and fitting software;
- Expandable 3D imaging;



Niumag Corporation  
 +86 15618809683  
 info@niumag.com  
 www.nmranalyzer.com  
 No,78, Keling Rd Suzhou, China